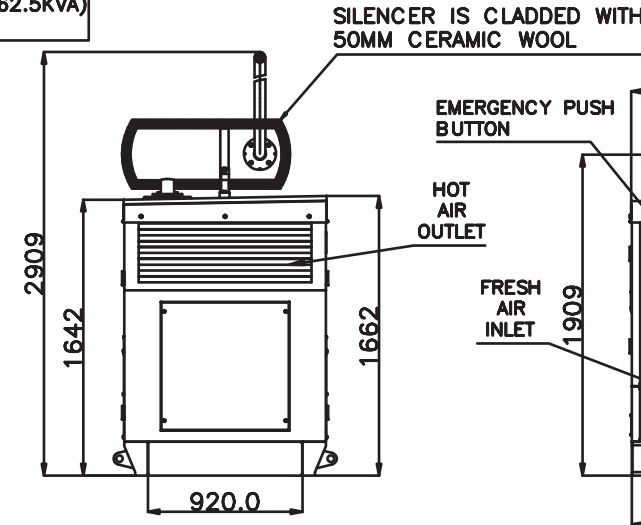
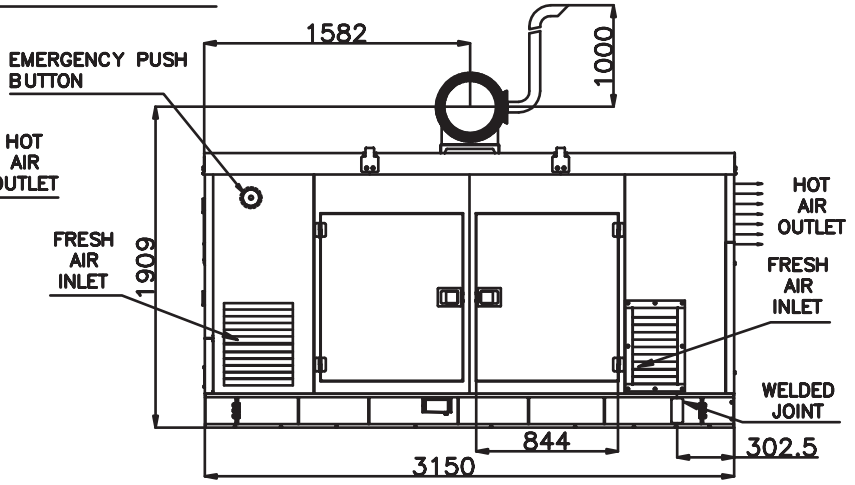


HA694TC (62.5KVA)

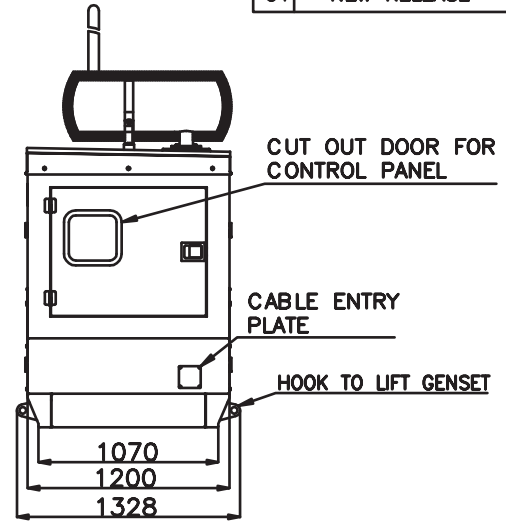
REV	DESCRIPTION
01	NEW RELEASE



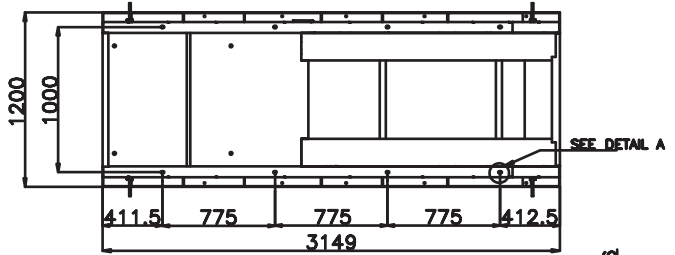
VIEW FROM ALTERNATOR SIDE



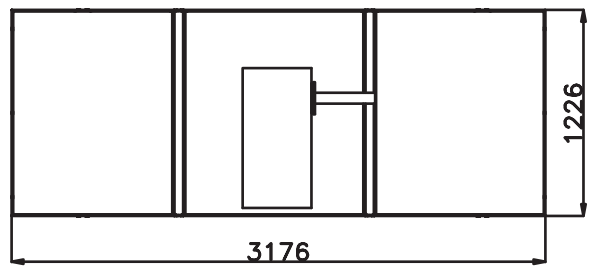
VIEW FROM STARTER SIDE



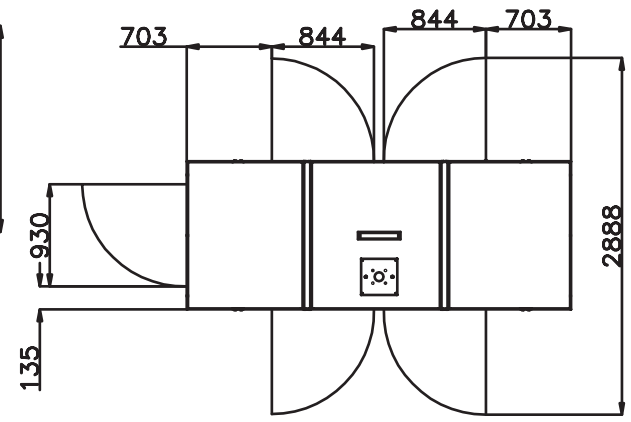
VIEW FROM GEAR END



FOUNDATION LAYOUT



VIEW FROM TOP



INSTALLATION PLAN FOR OPEN DOOR

- NOTES:**
1. FUEL TANK CAPACITY: 150 LITRES.
 2. HEIGHT OF FOUNDATION ABOVE FFL CAN BE MODIFIED DEPENDING UPON WATER STAGNATION.
 3. DEPTH BELOW FFL DEPEND UPON THE SOIL CONDITION.
 4. APPROX DEPTH BELOW FFL = 500MM.
 5. PFC OR RCC SHALL BE BASED ON SOIL CONDITION.
 6. LENGTH OF THE GENSET = 3176MM (10.41).
 7. WIDTH OF THE GENSET = 1328MM (4.356).
 8. HEIGHT OF THE GENSET = 2909MM (9.548).

IF IN DOUBT ASK
 FORMS BY PREVIOUS REVISION NO. SHOULD BE SUPPLIED
 THIS DRAWING IS PROPERTY OF SUNBEAN GENERATOR PVT.LTD. AND NOT BE REPRODUCED OR COPIED IN ANY MANNER WITHOUT THE WRITTEN PERMISSION OF SUNBEAN GENERATOR PVT.LTD. ANY UNAUTHORIZED REPRODUCTION OR COPIING OF THIS DRAWING WILL BE CONSIDERED AS AN ACT OF PIRACY AND WILL BE PROSECUTED TO THE FULL EXTENT OF THE LAW.

REVISION				DATE				BY				CHECKED			

UNLESS OTHERWISE SPECIFIED • ALL DIMENSIONS ARE IN MM. • DIMENSIONS IN PARENTHESIS ARE IN INCHES. • DIMENSIONS IN SQUARE BRACKETS ARE AS SHOWN. • DIMENSIONS NOT TO BE SCALE. • DIMENSIONS NOT TO BE SCALE.	Dwg No. HA694TC Title: HA694TC GENSET LAYOUT Scale: 1 OF 1 Date: 05.07.2014	Project: SUNBEAN GENERATOR PVT.LTD PONDICHERRY Drawing No.: SBC/GA-FND-62.5KVA Rev. No.:
--	--	--